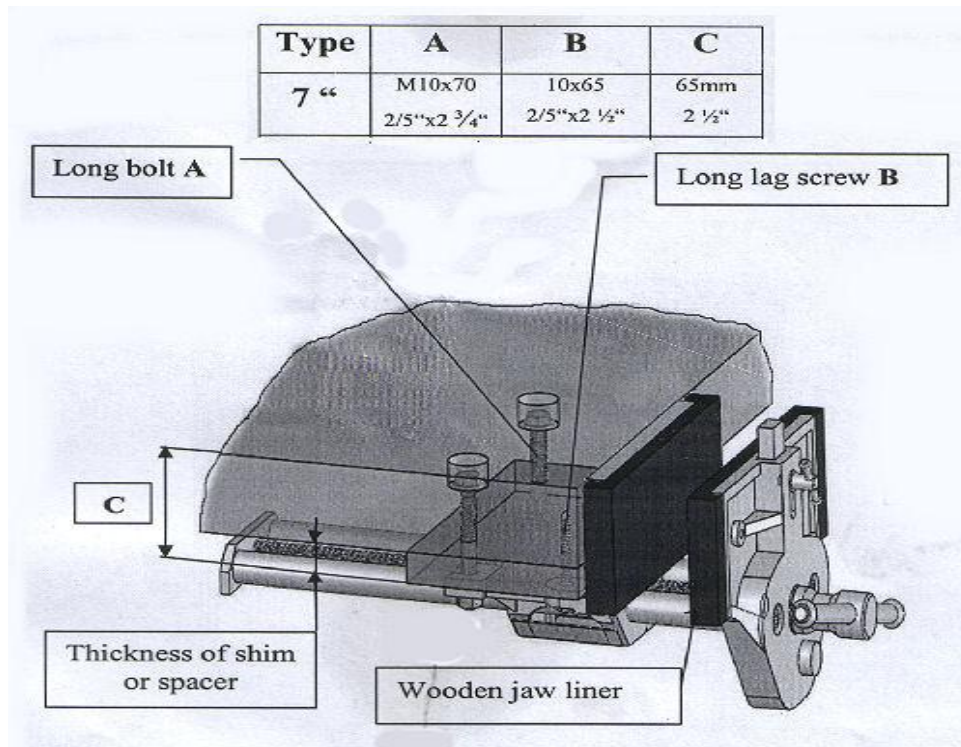


2018.01.21 Please note the information below was pulled from an old Record website page and I cannot guarantee its accuracy. Take the information below as guidelines only. Double check all measurements when you have the Record Vise in hand. MSL

Mounting instructions

The jaw mounting surface is 7" x 3-3/4"
 Distance of the holes near the jaws 6"
 Distance of the rear holes 5-3/4"
 Total length of vise 16"
 The jaws open 8-1/4"
 Recommended table thickness 2-1/2 inch"
 If table is thinner, you can add some wood at mounting area only.



The vise may be mounted to the underside of a workbench top in any desired location. When positioning, make sure the vise is closed and screw and guide bar do not interfere with any dog holes, drawers, or with the legs of the bench. The vise is designed for a 2-1/2" thick bench top. If the bench top is thinner, a board or piece of plywood will have to be inserted between the jaw mounting surface and the underside of the bench top. The vise may be attached with either lag screws 2/5 x 2-1/2" or through bolts 2/5 x 2-3/4" with nuts. Countersink the bolt heads!